

The Engineer who knows she knows...

Is that you?

The **Multibody Dynamics** tool, **Algoryx Momentum**, captures your engineering solution the way you actually designed it. The physical reality is what it is: complicated, unforgiving and of critical importance. If your engineering tools restrict your analysis, you cannot do your competence justice or realize your engineering potential. Today it is time to step out of the fog and get to **Know your design** - www.algoryx.se/momentum

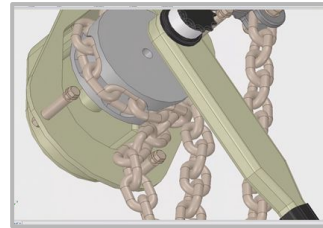
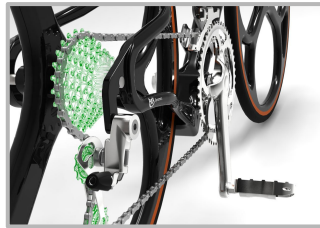
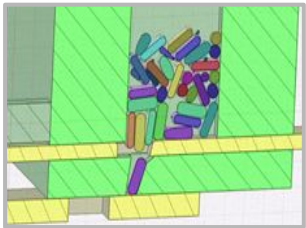
Algoryx Momentum - KNOW YOUR DESIGN

Challenge

Multibody dynamics has always been really hard to deal with. For engineers and everyone else. It's been a blind-spot and liability that stifles the engineering progress. Yet, it is a key to success and mustn't be overlooked.

Solution

- Superior simulation power that's highly accessible and interactive
- Automatic true-to-3D-CAD dynamic frictional contacts
- Genuine mechanical constraints
- Massive capacity for complexity
- Rich data and visualizations
- User-friendliness
- Reasonably priced
- Engineer anything
- Conclude with certainty



Algoryx Simulation AB develops state-of-the-art multibody dynamics simulation technology. Their work is based on novel scientific methods and makes it possible to execute very demanding dynamic simulations and achieve high performance, stability and accuracy. Algoryx Simulation's physics engine, Algoryx Dynamics, holds a leading position in interactive training simulator applications, where stability, accuracy and performance are key elements in complex and naturally unfolding scenes and mechanical events.

[Bicycle simulation has been rendered with KeyShot]

Algoryx

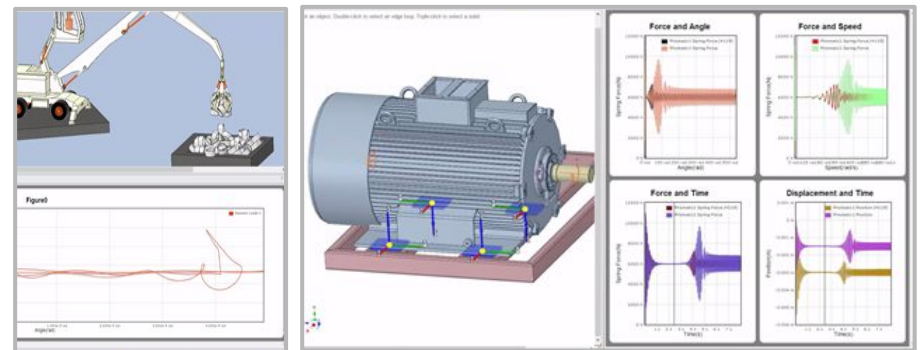
Benefits

Algoryx Momentum changes the premises completely. It provides superior motion dynamics simulations that are highly accessible. This unique combination of simulation power and user-friendliness turns motion dynamics from being a problem into an asset and valuable competitive advantage. Dynamics becomes a decisive design feature. A brand new dimension for progressive engineers to exploit.

Make it... Test it... **Know your design**

Algoryx Momentum points out mechanical problems and opportunities that you never thought of. It takes you deep into the workings of your design when you need it the most. It helps you explain difficult engineering concepts, so that even your boss gets it. It takes you and your team to a new level of agility, confidence and ingenuity.

Engineer anything - Conclude with certainty



For more information, please reach out to

contact@algoryx.se or your local SpaceClaim reseller.

